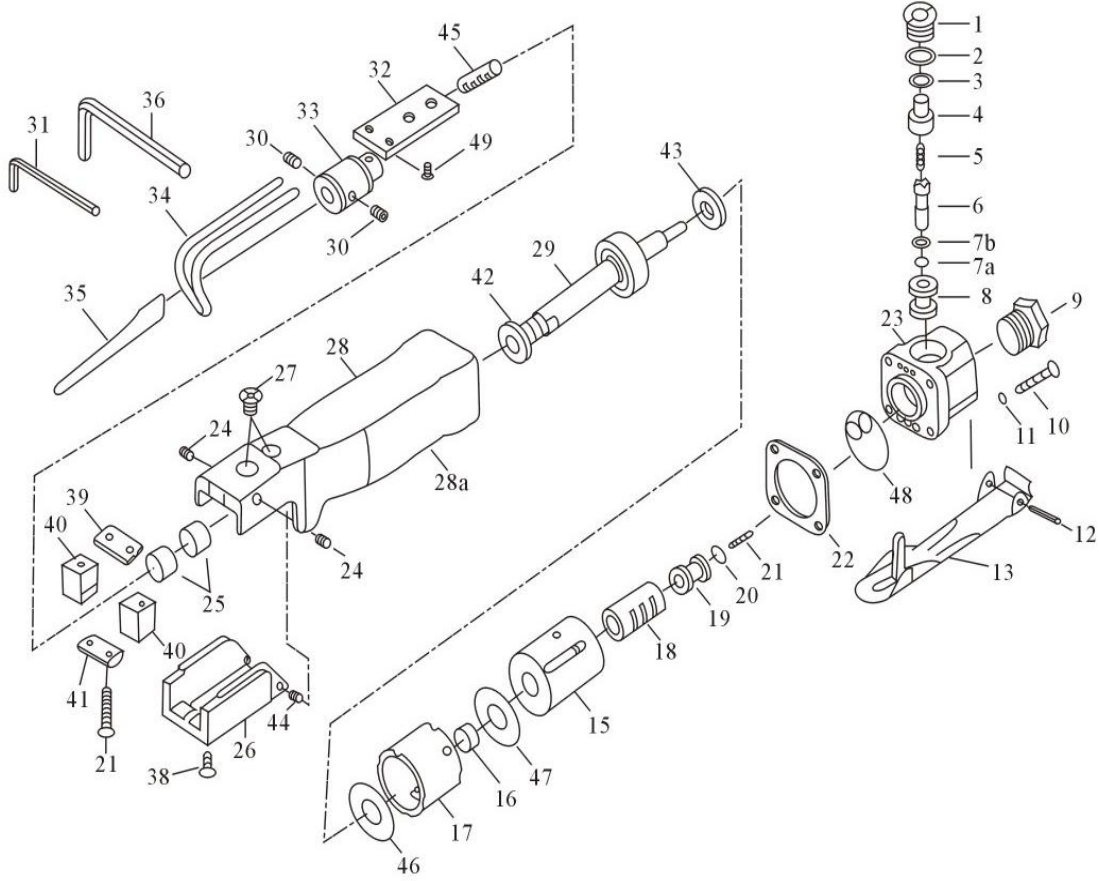


PT-301 **GAV** HAVALI TESTERE MOTORU



Item No.	Description	Q'ty	Item No.	Description	Q'ty
1	VALVE SCREW	1	27	SCREW (M5X10)	2
2	O-RING (P11)	1	28	HOUSING	1
3	O-RING (P7)	1	28a	PLASTIC WRAPP	1
4	AIR CONTROLLER	2	29	PISION ASS'Y	1
5	VALVE SPRING	1	30	SET SCREW (5/16"X 5/16")	2
6	VALVE STEM	1	31	SERVICE WRENCH (2MM)	1
7a	P006 O-RING (P006)	1	32	GUIDE PIETE	1
7b	P007 O-RING (P007)	1	33	BIEDE CHUCK	1
8	VALVE BUSHING	1	34a	WORK GUIDE (LONG)	1
9	AIR INLET BUSHING	1	34b	WORK GUIDE (SHORT)	1
10	CAP SCREW (M4X15)	4	35a	BLADE (32T)	1
11	WESHER (M4)	4	35b	BLADE (24T)	1
12	LEVER PIN (Ø3X23)	1	36	SCRVICE WRENCH (4MM)	1
13	THROTTLE LEVER	1	38	SCREW (M4X10)	1
15	VALVE CASE	1	38a	RETAINING RING E3	1
16	BUSH (Ø806)	1	39	UPER WEAR SHOE	1
17	CYLINDER	1	40	BRADE GUIDE	2
18	VALVE STEEVE	1	41	BRIDGE	1
19	ACTUATE VALVE	1	42	FORNT BUMPER	1
20	WASHER (Ø 3X Ø 8X0.8t)	1	43	REAR BUMPER	1
21	CAP SCREW (M3X23)	3	44	SPING PIN (Ø2.5x5)	2
22	GASKET	1	45	SPRING	1
23	VALVE BLOCK	1	46	PACKING	1
24	SET SCREW (M4X6)	2	47	PACKING	1
25	BUSH (1010)	2	48	PACKING	1
26	CHUCK COVER	1	49	SET SCREW (M5X5)	1